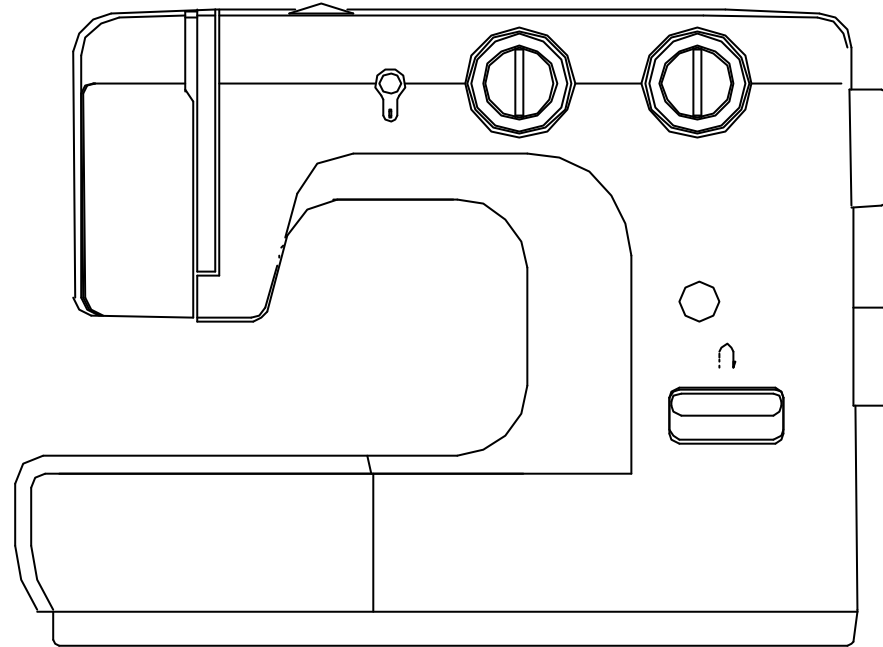


# Parts List

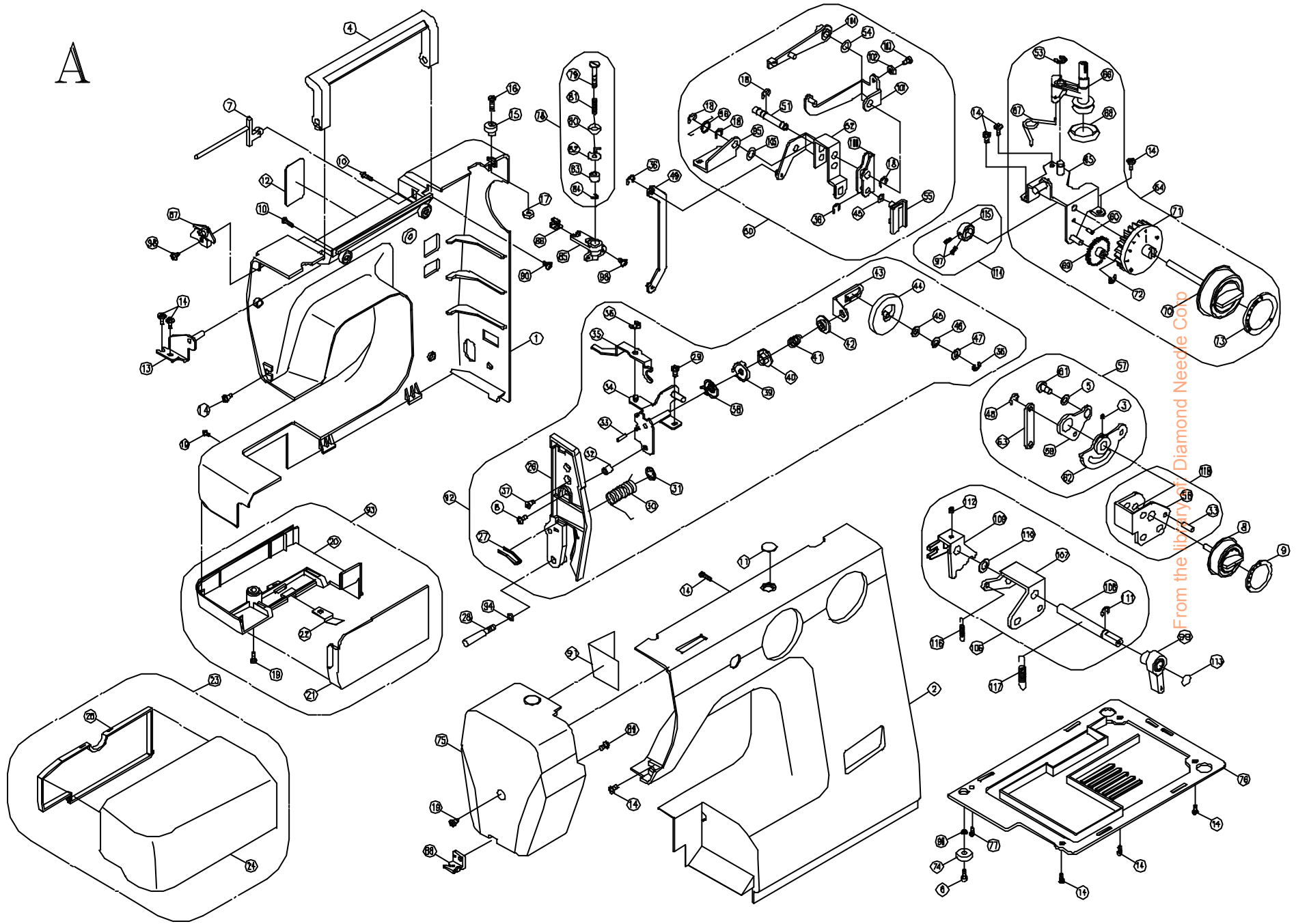


From the library of: Diamond Needle Corp

**SINGER®**  
Model 1525  
(Model 1107)

029800021

A



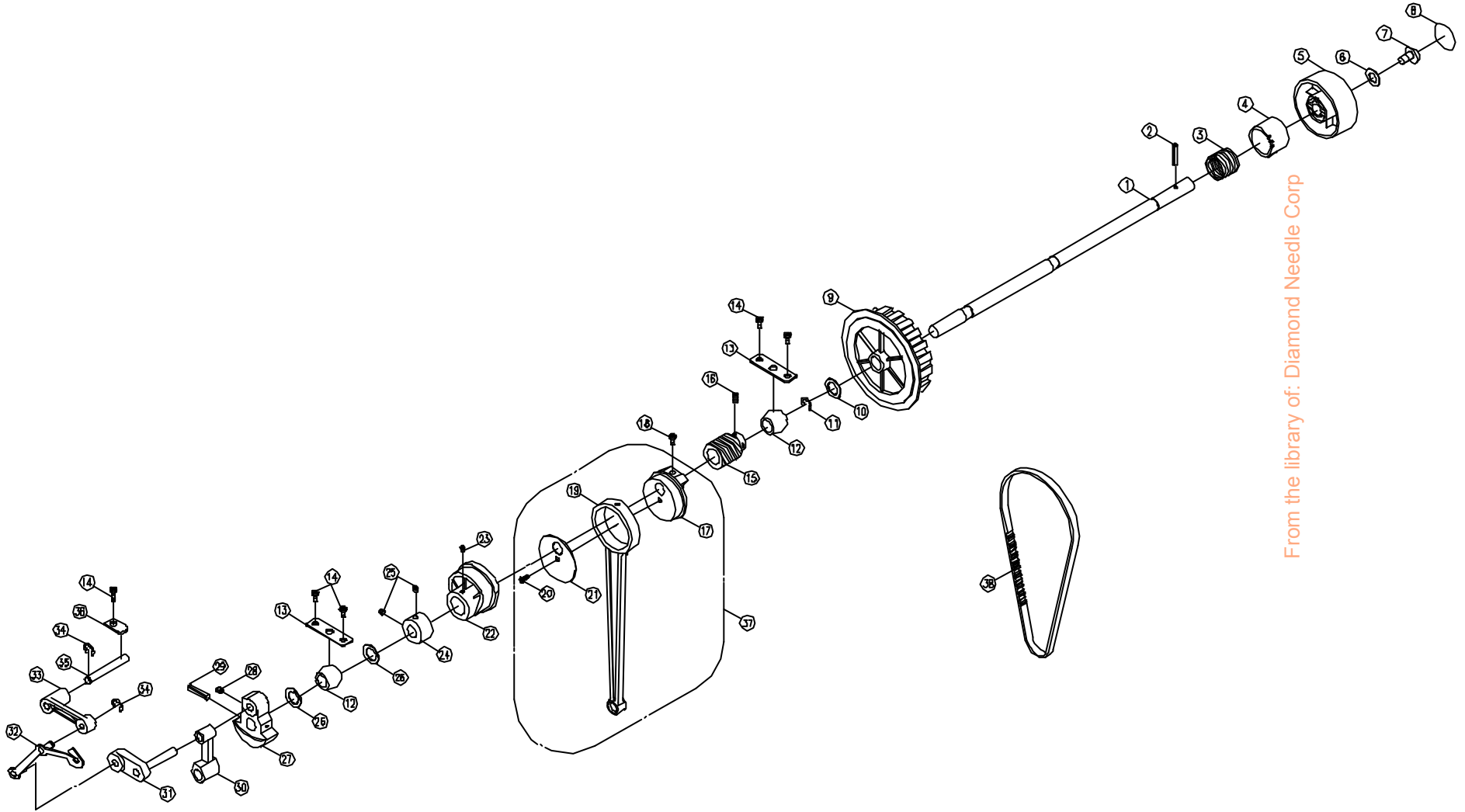
No.	Part No.	Description
1	VG46003210	Back cover
2	V840013210	Front cover
3	004230483	Set screw (M3*4 C)
4	V610243210	Handle
5	004300096	Washer (4*8*0.5)
6	004240146	Set screw (M4*15 B)
7	V610443210	Spool pin base
8	V640093210	Zig zag dial
9	V848793210	Zig zag width dial plate
10	004240186	Set screw (M4*15 B)
11	V61503210	Plate (1)
12	V61523210	Plate (2)
13	V61253006	Handle bracket
14	004240106	Set screw (M4*8 A)
15	E1A2393000	Bobbin winder stopper
16	004106162	Set screw (9/64*40*16 B)
17	004706013	Nut (9/64*40 t=3)
18	003010063	E-ring (ETW-6)
19	004240046	Set screw (M4*10 B)
20	V610273210	Bed cover
21	V610283210	Hook cover
22	R12453002	Hook cover spring
23	V610305210	Sewing table complete
24	V610313210	Sewing table body
25	V610323210	Sewing table body cover
26	VG40113210	Dial tension supporter plate cover
27	V61873001	Thread guide
28	004240982	Set screw (M4)
29	004240056	Set screw (M4*6 B)
30	V60303000	Thread guide spring
31	003020453	Thread guide spring washer (C-4.5)
32	H11103001	Dial tension guide spring tube
33	003043010	Hand wheel bushing pin (3*10)
34	V60243002	Dial tension supporter plate
35	V60263003	Dial tension waft plate
36	003010043	E-ring (ETW-4)

No.	Part No.	Description
37	004240176	Set screw (M4*6)
38	J30433001	Dial tension disc (2)
39	J30423001	Dial tension disc (1)
40	R10593000	Dial tension spring regulator
41	NB1083000	Dial tension spring
42	K50193000	Dial tension regulator
43	V60273006	Dial tension spring plate
44	R12973210	Dial tension knob
45	004300713	Washer (5.2*10*0.2)
46	004500360	Washer (WW-5)
47	004300643	Washer (5.2*10*0.5)
48	003010033	E-Ring (ETW-3)
49	VE40113003	Rod
50	VE40124000	Zig zag width regulating cam box
51	VE40253000	Zig zag cam contact supporter shaft
52	VE40153003	Zig zag regulator crank
53	003010053	E-Ring (ETW-5)
54	004300936	Washer (8.2*12*0.5)
55	VZ50273002	Zig zag width regulating cam box
56	VE40453003	Zig zag width spring
57	VE40314000	Zig zag width dial complete
58	VE40393003	Zig zag width dial plate
59	VE40353003	Zig zag width crank
60	003043008	Spring pin ( 3*8*0.6)
61	004240056	Set screw (M4*6 B)
62	VE40313003	Zig zag width cam
63	V640273006	Zig zag width crank rod
64	V840064000	Bobbin winder frame complete
65	V640105006	Bobbin winder frame
66	V61165000*	Bobbin winder crank complete
67	V61563003*	Bobbin winder crank spring
68	F20213000*	Bobbin winder rubber pulley
69	V630193000	Feed regulator gear
70	V640083000	Feed regulator dial
71	V640123000	Feed regulator cam
72	003010046	E-Ring (ETW-4)

No.	Part No.	Description
73	V849293210	Feed regulator dial plate
74	J31413000	Free arm base felt
75	VG47193210	Face plate
76	V61383323	Plate
77	004230016	Set screw (M3*6 A)
78	V610195000	Bobbin winder thread guide complete
79	V610213001	Bobbin winder thread guide adjusting screw
80	H13133001	Bobbin winder spring disc
81	H13153001	Bobbin winder thread guide spring
82	V610223001	Bobbin winder thread guide
83	V610233006	Spacer
84	003010036	E-Ring (ETW-3)
85	V610203210	Bobbin winder thread guide base
86	V610363001	Thread guide
87	V610155000	Thread guide complete
88	V640255000	Thread cutter
89	004240746	Set screw (M4*18 B)
90	004230646	Set screw (M3*16.7 B)
91	V61403000	Heat resistant plate
92	VG40114210	Dial tension supporter plate complete
93	V610264210	Free arm base complete
94	004300136	Washer (4.2*8*0.8)
95	VE40133003	Zig zag width regulating cam plate
96	004301133	Washer (4.2*20*1)
97	004240503	Set screw (M4*4 C)
98	004230326	Set screw (M3*12 B)
99	VE40433000	Needle position button
100	VZ50263003	Needle position crank
101	VE40193003	Needle position regulate crank
102	004840106	Nut (ALN-4)
103	004240046	Set screw (M4*10 B)
104	VE40215000	Basic point position complete
105	004300843	Washer (7.2*12*1)
106	VE40284000	Needle position plate complete
107	VE40293003	Needle position dial plate
108	VE40473003	Needle position dial shaft

No.	Part No.	Description
109	VE40273003	Needle position rod
110	004300396	Washer (6.2*14*1)
111	003011052	E-Ring (ETW-5)
112	004240223	Set screw (M4*6 C)
113	Q46493210	Plate
114	Z70105000	Collar complete
115	Z70103003	Collar
116	V60533003	Feed dog frame spring
117	VZ50423003	Needle position spring
118	VE40395000	Zig zag width dial complete

B

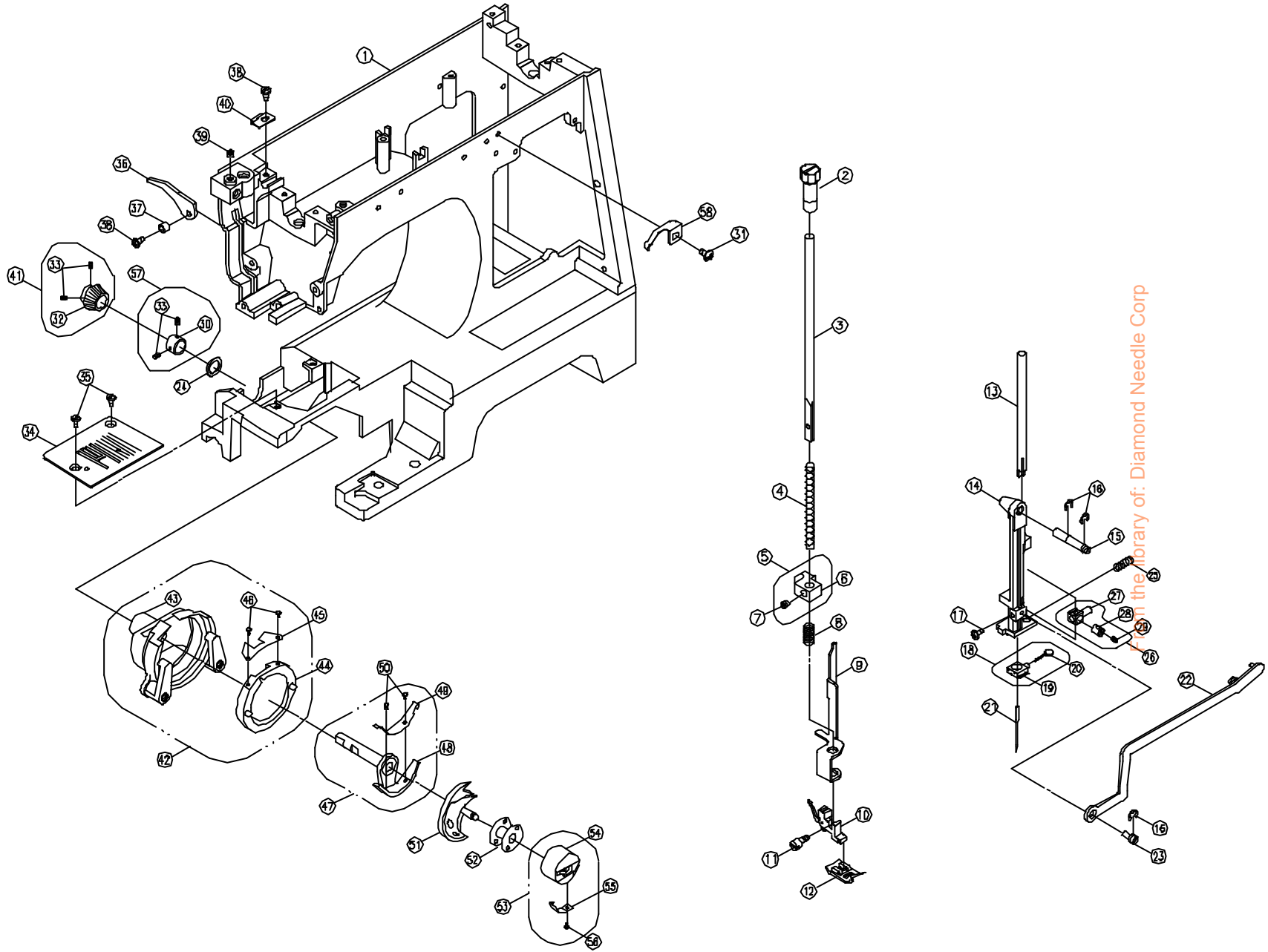


From the library of: Diamond Needle Corp

No.	Part No.	Description
1	V60033000	Arm shaft
2	003043018	Spring pin ( 3*18)
3	R10393000	Arm shaft clutch annulus spring
4	R10403000	Arm shaft collar
5	V10183210	Hand wheel
6	004300586	Hand wheel washer (5.2*16*1)
7	004250346	Hand wheel set screw (M5*10)
8	V16893210	Hand wheel decorated plate
9	E4A0143210	Arm shaft drive belt pulley
10	004300853	Washer (10.2*15*0.5)
11	003010093	E-ring (ETW-9)
12	R10293000	Arm shaft bushing
13	V60113003	Arm shaft bushing holder plate
14	004240106	Set screw (M4*8)
15	V60093000	Arm shaft worm
16	004240033	Set screw (M4*5)
17	V60053000	Crank connecting rod cam
18	004107063	Set screw (11/64*40*12)
19	V60063000	Crank connecting rod
20	004240056	Set screw (M4*6)
21	V60073003	Crank connecting rod cover
22	G4A0533000*	Feed cam
23	004240503*	Set screw (M4*4)
24	R10313000	Arm shaft collar
25	004250203	Set screw (M5*5)
26	004400080	Endure attrition washer (10.2*16*0.5)
27	V61473000	Arm shaft balance
28	004240223	Set screw (M4*6)
29	003043524	Arm shaft balance pin ( 3.5*24)
30	V60193000	Needle bar crank rod
31	V10543000	Arm shaft balance pin
32	E1A2513001	Thread take up lever
33	V10523000	Thread take up lever supporter
34	003010043	E-ring (ETW-4)
35	V60223003	Thread take up lever supporter shaft
36	H13093003	Set washer

No.	Part No.	Description
37	V60045000	Crank connecting rod complete
38	007156470	Motor drive belt (B156XXL6.1)

C

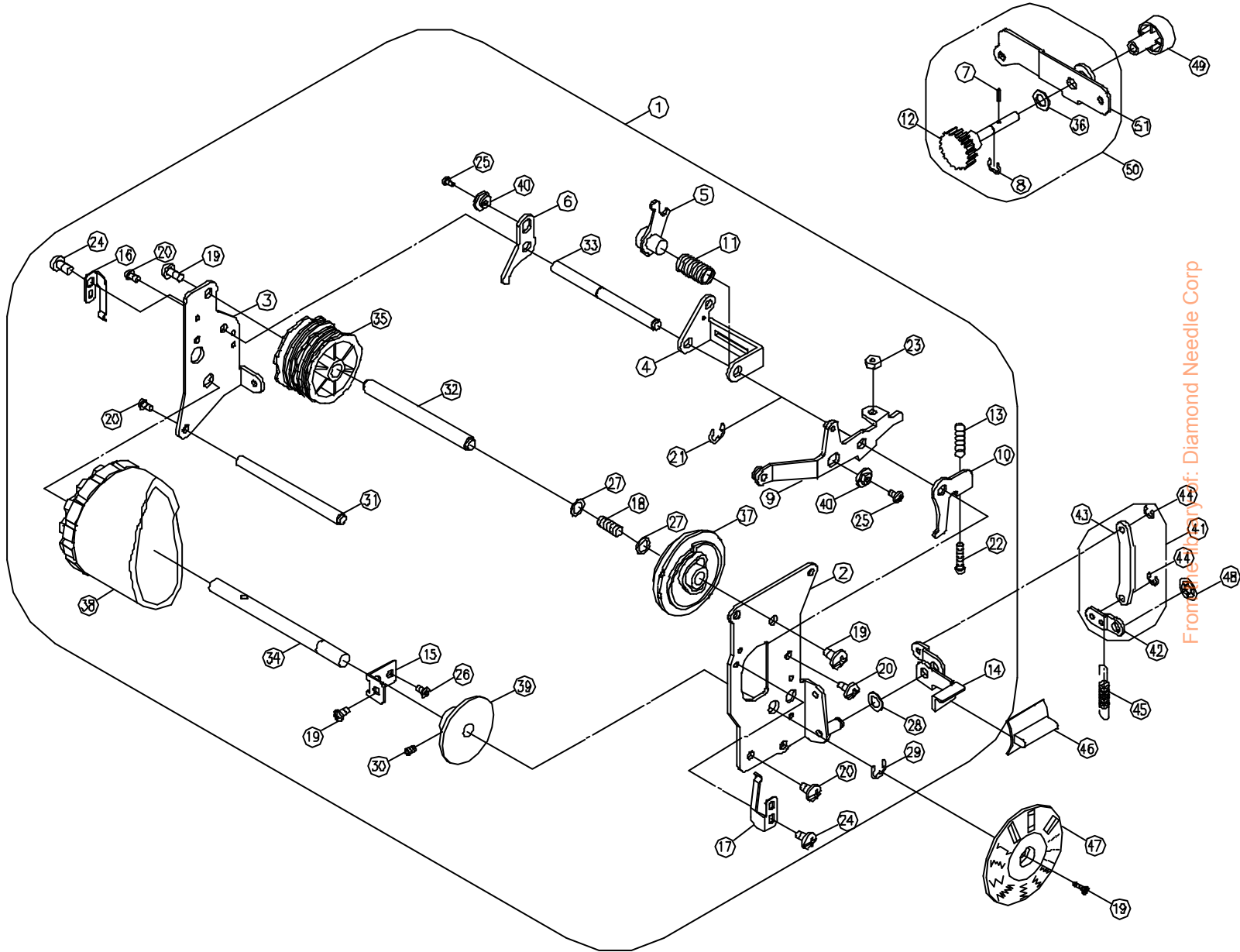


No.	Part No.	Description
1	VE40013000	Arm
2	V620163210	Presser bar regulating screw
3	V70153000	Presser bar
4	V70163003*	Presser bar spring
5	H10525000	Presser bar bracket complete
6	H10533002	Presser bar bracket
7	004260023	Set screw (M6*5)
8	H10723003*	Tension lever lifter spring
9	V60153003	Tension lever lifter
10	006910008	Shank complete
11	004106221	Shank complete screw (9/64*40 山*8)
12	006806008	Zig zag presser foot complete (J)
13	V70133000	Needle bar
14	V61973002	Needle bar supporter
15	N80223003	Needle bar supporter pin
16	003010053	E-ring (ETW-5)
17	004106233	Set screw (9/64*40*5)
18	G10245000	Needle clamp complete
19	TA11033002	Needle clamp
20	G10176002	Needle clamp set screw
21	006176008	Needle (2020)
22	VZ50193003	Needle bar driving rod
23	M30083000	Needle bar driving rod pin
24	004400210	Endure attrition washer (8.2*16*0.5)
25	H50583003*	Needle bar supporter spring
26	H10195000*	Needle bar bracket complete
27	H10253000*	Needle bar bracket (1)
28	H10263000*	Needle bar bracket (2)
29	004240503*	Set screw (M4*0.7*4 C)
30	H71153003	Shuttle driver shaft collar
31	004240106	Set screw (M4*8A)
32	V620233000	Shuttle driver shaft gear
33	004107293	Set screw (11/64*40*4)
34	V620033001	Needle plate
35	004240851	Needle plate complete set screw (M4)
36	V10333000	Presser bar lifter lever

No.	Part No.	Description
37	V60163000	Presser bar lifter lever screw washer
38	004240106	Set screw (M4*8 A)
39	004240033	Set screw (M4*5)
40	V60143003	Tension lever regulating plate
41	V61745000	Shuttle driver shaft gear
42	V10995000	Open shuttle race complete
43	V11003002*	Open shuttle race
44	V11573001*	Shuttle hook holder
45	V11583002*	Shuttle hook holder spring
46	H71093003*	Shuttle hook holder spring screw
47	K81125000	Shuttle driver complete
48	K81123002*	Shuttle driver
49	K81143003*	Shuttle driver spring
50	004103043*	Shuttle driver spring screw
51	H71173000	Shuttle hook (4.6mm)
52	006049009	Bobbin
53	H71185000	Bobbin case complete
54	H71186001*	Bobbin case
55	H13803001*	Bobbin case spring
56	H13973002*	Bobbin case spring set screw
57	H71155000	Shuttle driver shaft collar complete
58	VE40373003	Position plate



D

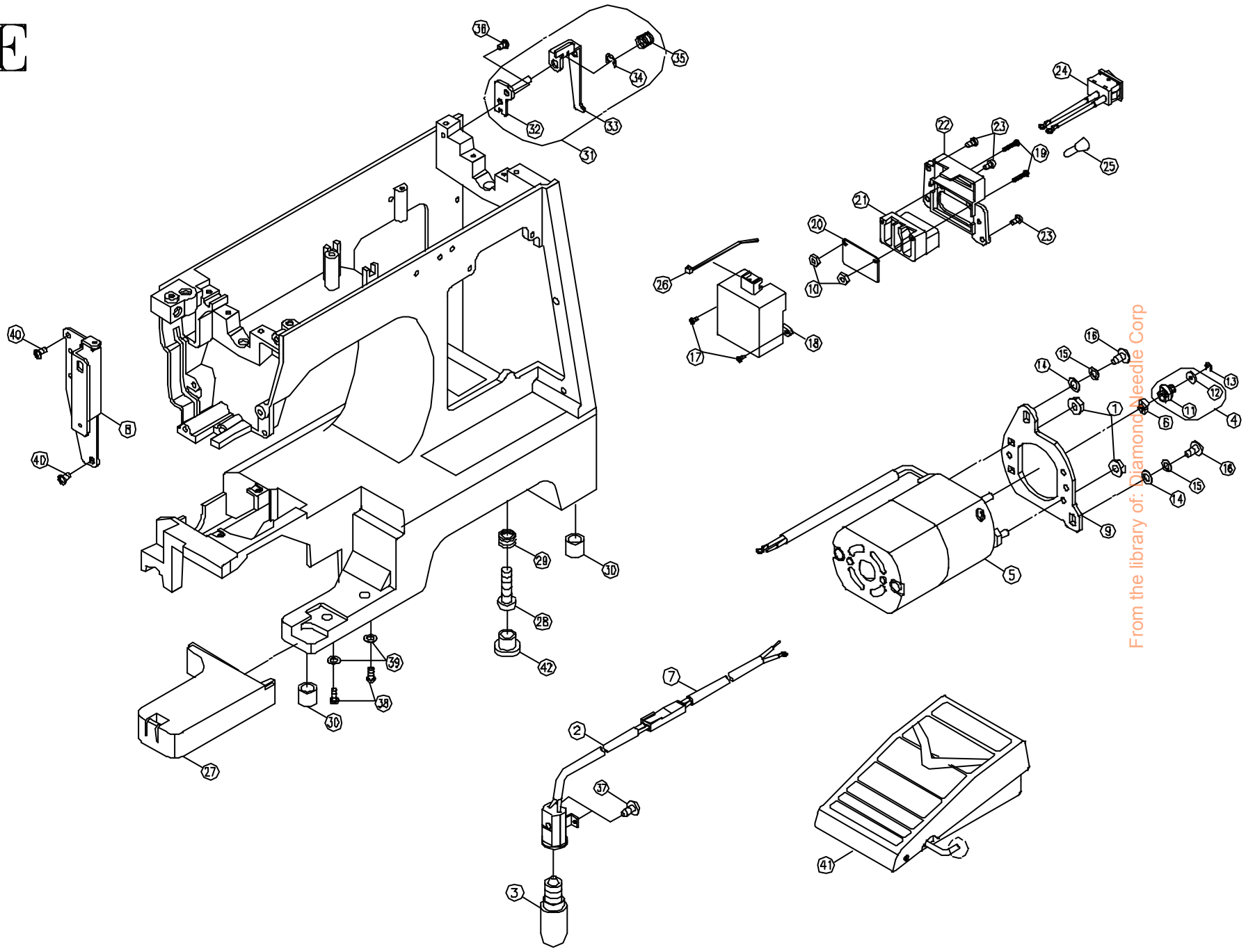


From <http://www.diamondneedle.com>: Diamond Needle Corp

No.	Part No.	Description
1	VE40084000	Pattern cam contact complete
2	V60613005	Pattern cam contact plate (front)
3	V60633005	Pattern cam contact plate (back)
4	VE40093003	Zig zag cam contact supporter
5	V60713003	Zig zag cam contact
6	V60723003	Zig zag regulator plate
7	003042512	Spring pin ( 2.5*12)
8	003010063	E-Ring (ETW-6)
9	V810073003	Feed regulator crank
10	V810153003	BH regulator plate
11	V10693003	Zig zag cam contact spring
12	R11103003	Selector dial shaft
13	V60813003	BH spring
14	V640243003	Reverse lever
15	V60853003	Pattern selector cam plate
16	V60873003	Pattern plate
17	V60883003	Feed regulator
18	V11603003	Pattern cam shaft spring
19	004240106	Set screw (M4*8 A)
20	004230016	Set screw (M3*6 A)
21	003010053	E-Ring (ETW-5)
22	004240706	Set screw
23	004840106	Nut (ALN-4)
24	004240056	Set screw (M4*6 B)
25	004230316	Set screw (M3*10 B)
26	004240166	Set screw (M4*8)
27	004300823	Washer (8.2*12*0.25)
28	004300186	Set screw (6.2*12*0.5)
29	003010063	E-Ring (ETW-6)
30	004240503	Set screw (M4*4 C)
31	V60823003	Pattern cam contact supporter shaft
32	V60643003	Pattern cam shaft
33	V60693000	Zig zag cam contact supporter shaft
34	V60833003	Pattern selector cam shaft
35	V90023000	Pattern cam
36	004300843	Washer dial shaft (7.2*12*1)

No.	Part No.	Description
37	V60683000	Feed regulator cam
38	VE40053000	Pattern selector cam
39	VE40073000	BH pattern selector cam
40	V60733000	Zig zag regulator nut
41	V60934000	Reverse plate complete
42	V60943003	Reverse plate
43	V60953003	Reverse rod
44	003010036	E-Ring (ETW-3)
45	M70093000	Spring
46	V640233000	Reverse button
47	V848293210	Pattern display pulley(only for 8100)
48	003020053	CS-Ring (cstw-5)
49	V61453210	Selector dial
50	V60914000	Selector dial complete
51	V60923003	Selector dial plate

E

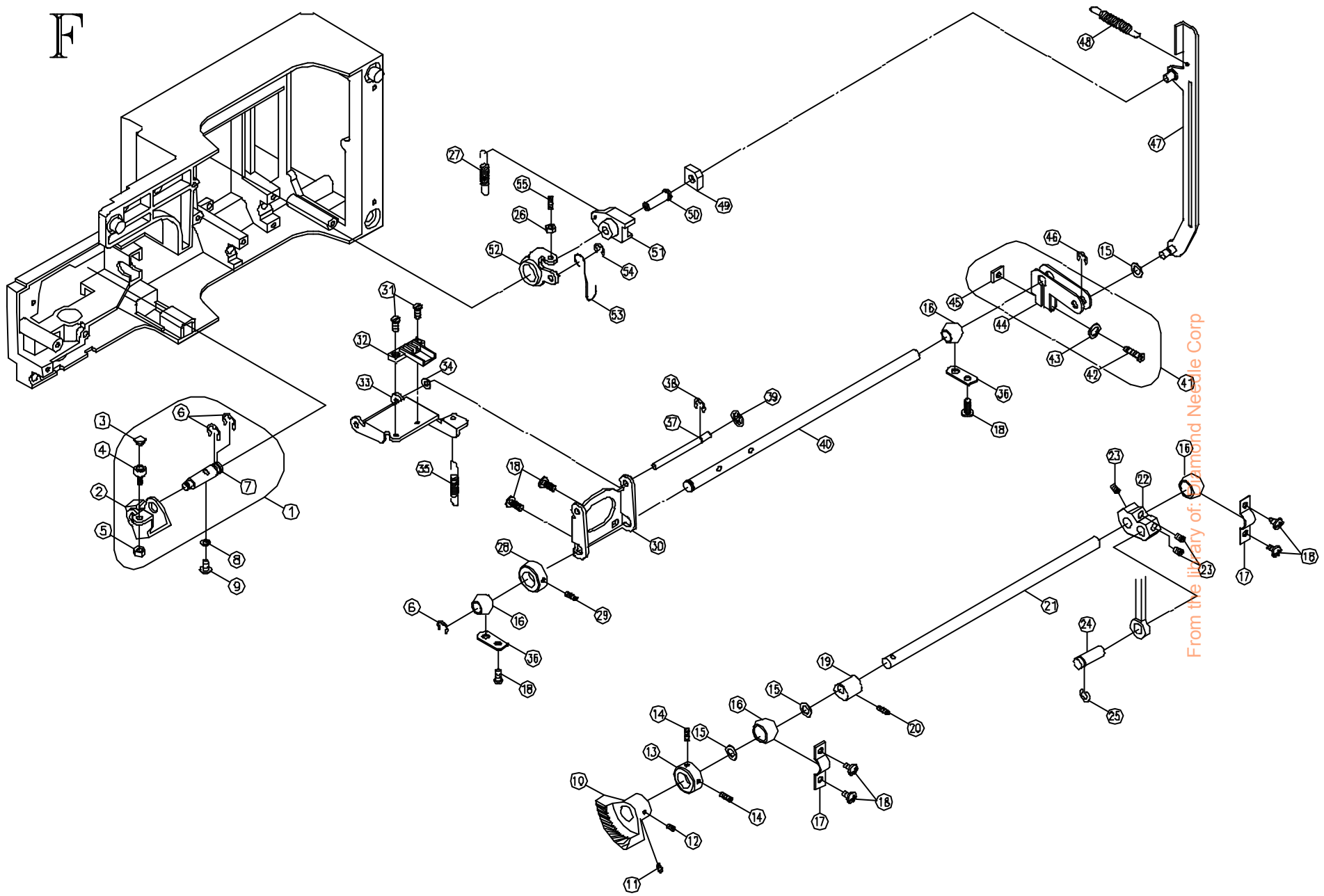


From the library of: Diamond Needle Corp

No.	Part No.	Description
1	004840051	Nut (M4 t=5)
2	002433418	Lampholder complete (only for 120V)
3	005120021	Lamp(100V 10W )
4	002396028	Belt wheel complete
5	001405409	Motor complete (for 120V)3M-682JS400ZH
6	008059302	Cushion rubber
7	002434618	Lead wire ass y
8	V61283006	Lamp bracket
9	002397025	Motor bracket
10	004830015	Nut (M3 t=2.3)
11	002396029*	Belt wheel
12	002145029	Motor feed regulator collar
13	003010036	E-Ring (ETW-3)
14	004300306	Washer (5.4*10*0.9)
15	004600296	Spring washer (5.2*9*1)
16	004250086	Set screw (M5*12)
17	004230286	Set screw (M3*8 B)
18	002248129	Receptacle holder cover
19	004230045	Set screw (M3*20)
20	002254129	Concent insulation plate
21	002253129	Receptacle
22	002252129	Receptacle holder
23	004240066	Set screw(M4*8)
24	002425118	Switch ass y
25	AA0463000	End termind
26	002027129	Cord clip
27	V610293210	Free arm foot buse
28	K82133003	Base plate adjustment screw
29	K82073003	Base plate adjustment screw spring
30	H70043000	Free arm base cushion rubber
31	V61205003	Clutch rod complete
32	V61213003	Clutch rod plate
33	V61233003	Clutch rod
34	003010046	E-Ring (E-4)
35	V61243003*	Clutch rod spring
36	004240056	Set screw (M4*6 B)

No.	Part No.	Description
37	004230055	Set screw (M3*5 B)
38	004230215	Set screw (M3*8.5)
39	004300136	Wash (4.2*8*0.8)
40	004240106	Set screw(M4*8 A)
41	001251409	Foot controller (4C-316B202ZH) U.S.A.
42	E1A2503000	Free arm base cushion rubber

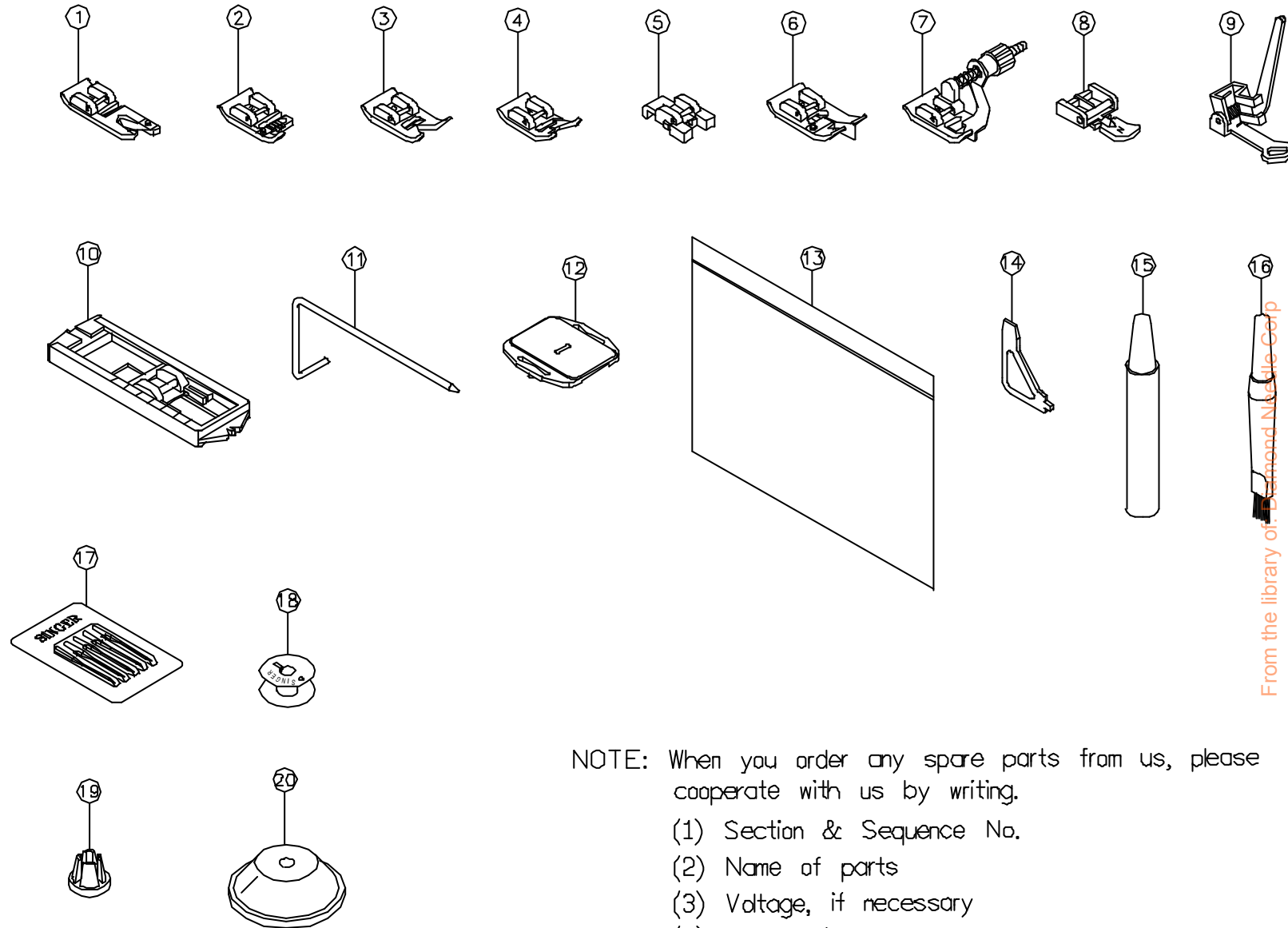
F



No.	Part No.	Description
1	V60574000	Feed lifting rock crank complete
2	V60583003	Feed lifting rock crank
3	K81243000*	Sew screw knob
4	004250323	Sew screw
5	004840022	Nut (M4 t=3)
6	003010063	E-Ring (ETW-6)
7	V60593003	Feed lifting rock shaft
8	004600026	Washer (4.2*7.2*1.2)
9	004240146	Set screw (M4*15)
10	V620073000*	Lower shaft gear
11	004111043	Lower shaft gear set screw
12	004111033	Lower shaft gear set screw
13	V11553003	Lower shaft collar
14	004240503	Set screw (M4*4)
15	004400410	Endure attrition washer
16	V60343000	Feed rock bushing
17	R11643003	Feed rock bushing holder plate
18	004240106	Set screw (M4*8)
19	V61533000	Feed lifting rock cam
20	004240033	Set screw (M4*5)
21	V620223000	Lower shaft
22	V60363000	Crank connecting rod crank
23	004250203	Set screw (M5*5)
24	V10833003	Crank connecting rod crank pin
25	003010053	E-Ring (ETW-5)
26	004706013	Nut (9/64*40 t=3)
27	V70063003*	Feed regulating spring
28	H11943003	Pattern cam shaft collar
29	004240503	Set screw (M4*4)
30	V60493003	Feed rock frame
31	004104012	Set screw (1/8*44*5)
32	V620053000	Feed dog
33	V60503003	Feed dog frame
34	004300136	Washer (4.2*8*0.8)
35	V60533003	Feed dog frame spring
36	V60563003	Bushing holder plate

No.	Part No.	Description
37	V60513003	Feed dog frame shaft
38	003010036	E-Ring (ETW-3)
39	003090043	Nut (SPN-4)
40	V60483000	Feed rock shaft
41	V60544000	Feed rock crank complete
42	004240146	Set screw (M4*15 B)
43	004300093	Washer (4*8*0.5)
44	V60553003	Feed rock crank
45	004840073	Feed rock crank Nut (M4)
46	003010043	E-Ring (ETW-4)
47	V60453003*	Frok rod
48	V60463003*	Frok rod spring
49	V11533000	Feed regulating block
50	V60443000	Feed regulating shaft
51	V60433000	Feed rdgulating
52	V60393003	Feed regulating plate
53	V60423003*	Feed rod
54	003010046	E-Ring (E-4)
55	004106053	Set screw (9/64*40*11)

# G



From the library of: Edmund Niselle Corp

NOTE: When you order any spare parts from us, please cooperate with us by writing.

- (1) Section & Sequence No.
- (2) Name of parts
- (3) Voltage, if necessary
- (4) Others, if any
- (5) "\*" means: These spare parts are not supplied individually, but can be obtained by minimum quantity at 300 pcs.

No.	Part No.	Description
1	006800008	Hammer foot
2	006810008	Cording foot
3	006806008	Zig zag foot (J)
4	006804008	Satin stitch foot
5	006914008	Button sew-on foot
6	006803008	Overcastting foot (G)
7	006812008	Blind hem foot (L)
8	006905008	Zipper foot (I)
9	006016008	Embroidery
10	006909008	Buttonhole foot (B)
11	006008001	Quilting bar
12	006117009	Embroider plate
13	006011009	Accessories bag
14	006093009	Screw drive (L)
15	006013009	Oilier
16	006099008	Brush & seam ripper complete
17	006175008	Needle (14 # .16 # .11 # )
18	006066008	Bobbin
19	TA10943209	Spool set plate (small)
20	R12373210	Spool set plate (big)